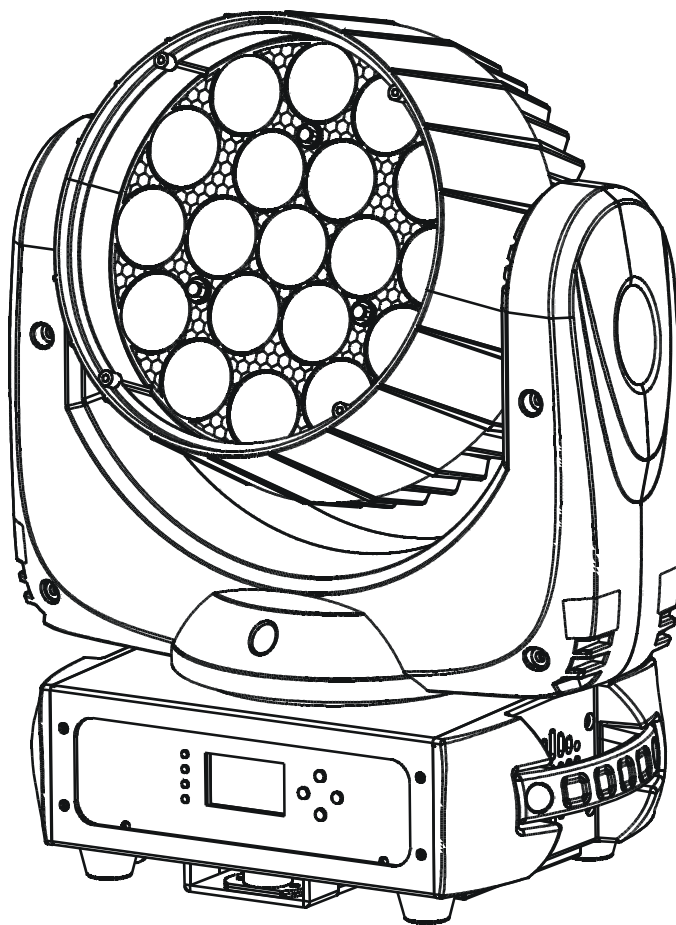


19*15W MOVING HEAD BEAM



User Manual

Professional Entertainment Technology

Safety Instructions



WARNING

Please read carefully the instruction, which includes important information about the installation, usage and maintenance.

- Please keep this User Guide for future consultation. If you sell the unit to another user, be sure that they also receive this instruction booklet.
- Unpack and check carefully there is no transportation damage before using the unit.
- Before operating, ensure that the voltage and frequency of power supply match the power requirements of the unit.
- It's important to ground the yellow/green conductor to earth in order to avoid electric shock.
- The unit is for indoor use only. Use only in a dry location.
- The unit must be installed in a location with adequate ventilation, at least 50cm from adjacent surfaces. Be sure that no ventilation slots are blocked.
- Disconnect main power before replacement or servicing.
- Make sure there are no flammable materials close to the unit while operating as it is fire hazard.
- Use safety cable when fixes this unit. DO NOT handle the unit by taking its head only, but always by taking its base.
- Maximum ambient temperature is $T_a: 40^{\circ}\text{C}$. DO NOT operate it where the temperature is higher than this.
- Unit surface temperature may reach up to 85°C . DO NOT touch the housing bare-hand during its operation. Turn off the power and allow about 15 minutes for the unit to cool down before replacing or serving.
- In the event of serious operating problem, stop using the unit immediately. Never try to repair the unit by yourself. Repairs carried out by unskilled people can lead to damage or malfunction. Please contact the nearest authorized technical assistance center. Always use the same type spare parts.
- DO NOT touch any wire during operation as high voltage might be causing electric shock.

Warning:

- To prevent or reduce the risk of electrical shock or fire, do not expose the unit to rain or moisture.
- DO NOT open the unit within five minutes after switching off.
- The housing, the lenses, or the ultraviolet filter must be replaced if they are visibly damaged.

Caution:

There are no user serviceable parts inside the unit. DO NOT open the housing or attempt any repairs yourself. In the unlikely event your unit may require service, please contact your nearest dealer.

If using a 230V 50Hz power supply, DO NOT connect in series more than 11 units; use another main supply for the next 11 fixtures.
If using a 120V 60Hz power supply, DO NOT connect in series more than 5 units; use another main supply for the next 5 fixtures.

Installation:

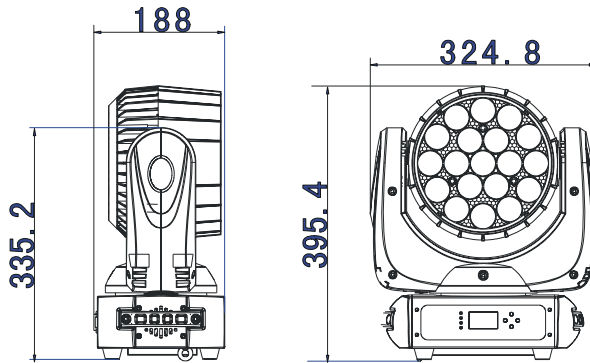
The unit should be mounted via its screw holes on the bracket. Always ensure that the unit is firmly fixed to avoid vibration and slipping while operating. And make sure that the structure to which you are attaching the unit is secure and is able to support a weight of 10 times of the unit's weight. Also always use a safety cable that can hold 12 times of the weight of the unit when installing the fixture.

The equipment must be fixed by professionals. And it must be fixed at a place where is out of the touch of people and has no one pass by or under it.

Technical Specifications

- ◇ Extremely small, fast and powerful LED moving beam.
- ◇ DMX Channels: 16 channels mode
- ◇ Operation modes: DMX512, Master/Slave
- ◇ Great built-in lighting shows under Master/Slave mode
- ◇ Blue LCD display for easy navigation
- ◇ Perfect for stage, theatre, TV studio, rental and discotheques

Voltage: AC 100V~240V, 50/60Hz
Power consumption: 300W
LED: 19 X 15W RGBW LED
Dimension: 324.8X188X395.4mm
Weight: 9.2Kgs
Beam Angel: 6 °~50°



Control panel

Display:

To show the various menus and the selected functions

LED:

POWER	ON	Power On
NULL		No function
NULL		No function
DMX	ON	DMX input present

Button:

MENU	To select the programming functions
DOWN	To go backward in the selected functions
UP	To go forward in the selected functions
ENTER	To confirm the selected functions

DMX input:

For DMX512 link, use 3-pin XLR cable to link the unit together.

DMX output:

For DMX512 link, use 3-pin XLR cable to link the unit together.

Mains input:

Connect to power supply.

Mains output:

Connect to supply power to the next unit.

Fuse(T 6.3A):

Protect the unit from damage of the over-current.

Main Function

To select any of the given functions, press the **MENU** button up to when the required one is showing on the display. Select the function by **ENTER** button and the display will blink. Use **DOWN** and **UP** button to change the mode. Once the required mode has been selected, press the **ENTER** button to setup, to go back to the functions without any change press the **MENU** button again. Hold and press the **MENU** button about one second or wait for one minute to exit the menu mode.

The main functions are showing below:

To access display Menu via the internal battery, press the UP& DOWN buttons simultaneously.
 Display will automatically switch off after about 10 seconds from last button press.

LCD DISPLAY MENU				
DMX Address 1	DMX Address =001			
Auto Play 2	Inside Program	.=Alone		
		.=Master		
	Music Control	.=Alone		
		.=Master		
Slave Control	Slave Run			
Reset 3	.=OFF			
	.=ON			
Reverse Pan 4	.=OFF			
	.=ON			
Reverse Tilt 5	.=OFF			
	.=ON			
Mic Sensitivity 6	.=000%-100%			
Special 7	Reset Default 1	.=OFF		
		.=ON		
	Calibration 2	Code	Code	=000
		PAN	PAN	=000
		TILT	TILT	=000
		Red	Red	=000
		Green	Green	=000
		Blue	Blue	=000
		White	White	=000
		Focus	Focus	=000
	Temperature 3	Temperature		
		=000C		
	Manual Control 4	PAN	PAN	=000
		PAN-Fine	PAN-Fine	=000
		TILT	TILT	=000
		TILT-Fine	TILT-Fine	=000
		Move Speed	Move Speed	=000
		Dimmer	Dimmer	=000
		Strobe	Strobe	=000
		Red	Red	=000
Green		Green	=000	
Blue		Blue	=000	
White		White	=000	
Focus		Focus	=000	

LCD DISPLAY MENU

Edit Use Program 8	Program 01		
Version 9	V1.0		

Function Mode

DMX address setting

With this function, you can adjust the desired DMX-address via the Control Board.

Select via the encoder.

Press the encoder, adjust the DMX address by turning the encoder.

Press the encoder to confirm.

Press the Mode/Esc-button in order return to the main menu.

Set DMX address

Display the DMX 512 value of each channel

With this function you can display the DMX 512 value of each channel. The display automatically shows the channel with a value changing.

Slave setting

With this function, you can define the device as slave.

Auto Play

With this function, you can run the Inside program. Music control, Slave control and Mic Sensitivity.

[Inside program]With this function, you can run the internal program.

[Music control]With this function, you can run sound-controlled.

[Slave control]With this function, you can define the device as slave.

Reset

With this function, you can reset the device via the Control Board. You can select the different reset function by turning the encoder.

Pan Reverse

With this function you can reverse the Pan-movement.

Tilt Reverse

With this function you can reverse the Tilt-movement.

Special Setting

[Factory Reset]

With this function, you can select restore factory set for ON or OFF, the default is OFF.

[Calibrate values]

With this function, you can calibrate and adjust the effect wheels to their correct positions.

The password of calibrate values is 018.

[Temperature]

With this function, Display the temperature for Celsius or Fahrenheit.

[Manual Control]

With this function, user can control the function by manual.

Edit program

With this function, you can run the internal program. You can select the desired program under "Select program". You can set the number of steps under "Edit program". You can edit the individual scenes under "Edit scenes". With this function, you can run the individual scenes by Channel 16.

Temp. Info.

Head Temp

With this function you can display the temperature on the display board of the base (near CMY-filter)in Celsius.

No DMX Status

With this function, when the drive is not DMX signal, the display will be flashing.

Lamp adjustment

With this function, you can adjust the lamp more easily. All effects will be canceled, the shutter opens and the dimmer intensity will be set to 100 %.With the individual functions, you can focus the light on a flat surface (wall) and perform the fine lamp adjustment.

Users Mode

With this function, you can create user defined channel orders.

User mode set

In this menu, user can select different channels list by different sequence:

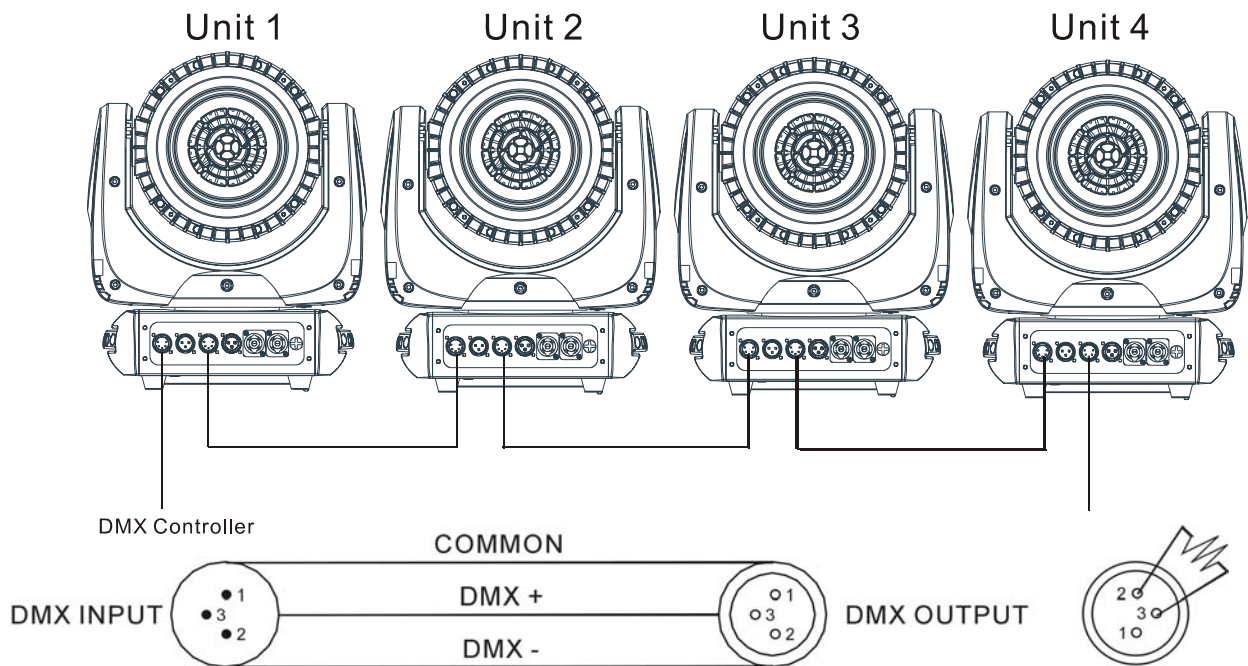
For example, after the user enter this manual, if select Auto Program = CH 22, means in this User s mode, the Dimmer is in Channel 16.

<i>Channel</i>	<i>DMX Value</i>	<i>Function</i>
1	000 - 255	X
2	000 - 255	X Fine
3	000 - 255	Y
4	000 - 255	Y Fine
5	000 - 255	XY Speed from Max to Min
6	000 - 255	Dimmer (0 ~ 100%)
7	000 - 009	Strobe (Close)
	010 - 245	Strobe effect slow to fast
	246 - 255	Strobe (Open)
8	000 - 255	Red (0 ~ 100%)
9	000 - 255	Green (0 ~ 100%)
10	000 - 255	Blue (0 ~ 100%)
11	000 - 255	White (0 ~ 100%)
12	000 - 255	Color Temp
<i>Channel</i>	<i>DMX Value</i>	<i>Function</i>
13	000 - 010	MacroColorStep (Disable)
	011 - 020	R
	021 - 030	G
	031 - 040	B

	041 - 050	W
	051 - 060	R+G
	061 - 070	G+B
	071 - 080	B+W
	081 - 090	R+B
	091 - 100	G+W
	101 - 110	R+W
	111 - 120	R+G+B
	121 - 130	R+G+W
	131 - 140	G+B+W
	141 - 150	R+G+B+W
	151 - 255	Jump from slow to fast
14	000 - 010	MacroColorLine (Disable)
	011 - 255	Slow from slow to fast
15	000 - 020	Empty
	021 - 040	Internal program 1
	041 - 060	Internal program 2
	061 - 080	Internal program 3
	081 - 100	Internal program 4
	101 - 120	Internal program 5
	121 - 140	Internal program 6
	141 - 160	Internal program 7
	161 - 180	Internal program 8
	181 - 200	Empty
	201 - 225	Motor Reset
226 - 255	Empty	
16	000 - 255	Focus(0-100%)

Control By Universal DMX Controller

DMX 512 Connection



1. At last unit, the DMX cable has to be terminated with a terminator. Solder a 120 ohm 1/4W resistor between pin 2(DMX-) and pin 3(DMX+) into a 3-pin XLR-plug and plug it in the DMX-output of the last unit.
2. Connect the unit together in a `daisy chain` by XLR plug from the output of the unit to the input of the next unit. The cable can not branched or split to a `Y` cable. DMX 512 is a very high-speed signal. Inadequate or damaged cables, soldered joints or corroded connectors can easily distort the signal and shut down the system.
3. The DMX output and input connectors are pass-through to maintain the DMX circuit, when one of the units' power is disconnected.
4. Each lighting unit needs to have an address set to receive the data sent by the controller. The address number is between 0-511 (usually 0 & 1 are equal to 1).

5. The end of the DMX 512 system should be terminated to reduce signal errors.
6. 3 pin XLR: Pin 1: GND, Pin 2: Negative signal (-), Pin 3: Positive signal (+)

Address Setting

If you use a universal DMX controller to control the units, you have to set DMX address from 1 to 512 so that the units can receive DMX signal.

Press **MENU** button to enter menu mode, select **DMX Functions**, press **ENTER** button to confirm, use **UP** and **DOWN** button to select **DMX Address**, press **ENTER** button to confirm, the present address will blink on the display, use **UP** and **DOWN** button to adjust the address from 0 to 512, press **ENTER** button to store. Press **MENU** button back to the last menu or let the unit idle 7 seconds to exit menu mode.

Please refer to the following diagram to address your DMX512 channel for the first 4 units:

Channel mode	Unit 1 Address	Unit 2 Address	Unit 3 Address	Unit 4 Address
16 channels	1	17	33	49