

TV-N480 BSW

(Beam+Spot+Wash+CMY)



www.vltlight.com

Optical system

Light Source: SIRIUS HRI® 470W

Color temperature: 7700K

Life time: ≥1500hours

Movement

X:540° (16 bit precision scan)

Y:270° (16 bit precision scan)

Automatic error correction reset function

Color system

CMY system, color temperature (5600K, 3200K), 3 color wheels (each wheel has: 4 color + white), 3 color wheels can be superimposed

Gobo system

1 Animation

1 fixed gobo wheel: 13 pattern filter + white

1 rotating gobo wheel: 8 gobos + white, Pattern jitter and pattern arbitrary positioning function.

Prism system

Prism 1: 8 prisms. Prism2: 16prisms.

2 prisms can be stacked

Effect

Atomization: Independent atomization

Dimming: 0-100% linear dimming.

Strobe: up to 25Hz, can choose random strobe or pulse strobe.

Environment

IP20 -10°C- 45°C

Display

Display: Rechargeable battery, Chinese and English languages can be switched, the display can be reversed 180°

Reset detection: With out DMX signal, manual detection and automatic detection can be selected to facilitate inspection and maintenance.

Zoom angle

0°~2.6° (beam mode), 7.2°~34° (gobo mode)

8°~70° (wash mode)

software

9 built-in programs to choose from

Upgrade via DMX data cable

Can change the DMX address code from the console, remote control switch bulb, machine reset and other functions

Display lamp and light source usage time

2 channel modes: 26/30channels

Control

High temperature automatic protection

Standard DMX512 protocol

DMX shortcut interface

RDM function

Electrical parameters

Voltage: AC100-240V, 50/60Hz

Power: 550W

Size and weight

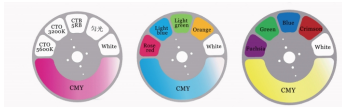
Product Size: 618*422*301mm

Net weight: 24.5kgs

Animation:



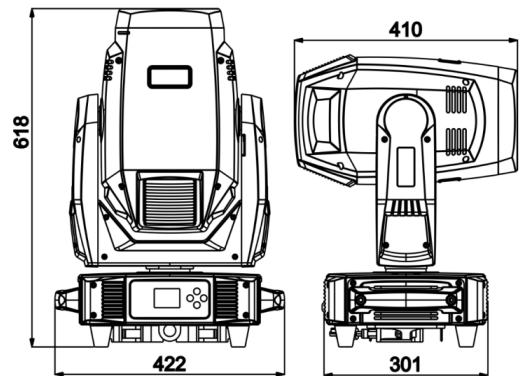
CMY Color:



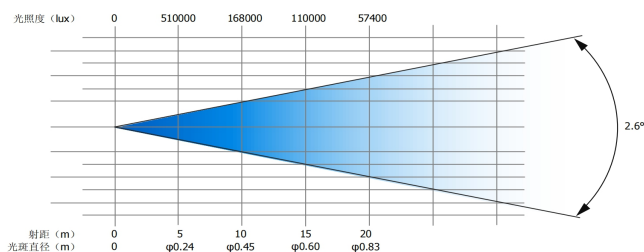
Rotating gobo:



Fixed Gobo :



BEAM 照度表



SPOT 照度表

