

TV-NE290



www.vltlight.com

Optical system

Light Source: Philips MSD Silver 250W

Color temperature: 7800K

Light source life: ≥1500hours

Scan

X: 540° (16 bit precision scan) Y: 270°

(16 bit precision scan) Automatic

error correction reset function

Color system

1 color wheel: 12 color + white, half-color effect with bidirectional rotation.

Gobo system

1 fixed pattern plate: 14 pattern pieces + white, with pattern dithering and pattern arbitrary positioning function.

Prism system

Prism 1: 8 prisms. Prism2: 24 prisms.

2 prisms can be stacked

Effect

Focusing angle: 1.8° Atomization:

Independent atomization

Dimming: 0-100% linear dimming.

Strobe: up to 25Hz, can choose random strobe or pulse strobe.

Environment

IP20

-10°C - 45°C

Display

Display: Rechargeable battery, you can enter the menu to set without powering on. The Chinese and English languages can be switched, and the display can be reversed 180°, which is convenient for hanging upside down. Reset detection: When there is no DMX signal, manual detection and automatic detection can be selected to facilitate inspection and maintenance.

software

9 built-in programs to choose from

Upgrade via DMX data cable

Can change the DMX address code from the console, remote control switch bulb, machine reset and other functions

Display lamp and light source usage time

2 channel modes: 16/13 channels

Control

High temperature automatic protection

Standard DMX512 protocol

DMX shortcut interface

RDMfunction

Electrical parameters

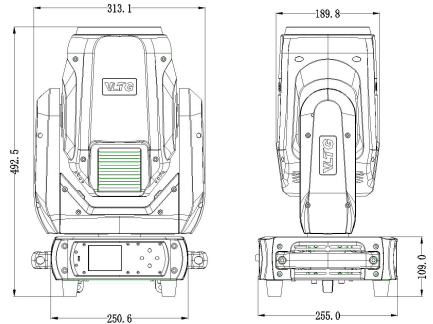
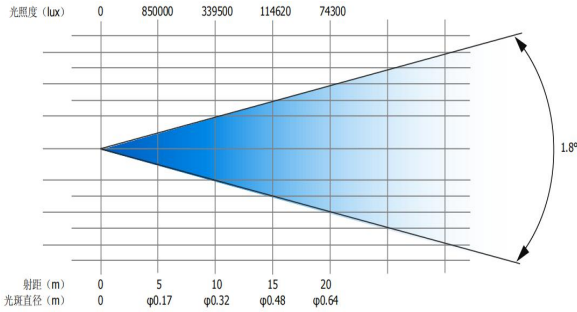
Voltage: AC100-240 V, 50/60Hz

Power: 370W(90V)

Size and weight

Product Size: 492*313*270mm

Net weight: 14kgs



%	1	2	3	4	5	6	7	8	9	10	11	12	13	14	15	16
	水平	水平	垂直	垂直	xy速	调光	调光	频门	色盘1	固定	24	八棱	棱镜	雾化/	调焦	功能
	微调	微调	微调	微调	度	微调	微调			盘	棱	镜	七彩		通道	
100%					max											开泡
75%																xy复位
50%																色片复位
25%																图案复位
0%					min											频闪复位
																调焦/棱镜复位
																全部复位
																关泡

