

# TV-NE380



www.vltglight.com

## Optical system

Light Source:OSRAM SIRIUS HRI ®  
371W S  
Color temperature: 7800K  
Light source life: ≥1500hours

## Scan

X:540° (16 bit precision scan)  
Y:270° (16 bit precision scan)  
Automatic error correction reset function

## Color system

1 color wheel: 12 color +white circle, with half-color effect and with bidirectional rotation.

## Gobo system

1 fixed pattern plate: 14 pattern pieces + white, with pattern dithering and pattern arbitrary positioning function.

## Prism system

Prism 1: 8-facet prism. Prism2: 24 prism.  
2 prisms can be stacked

## Effect

Focusing angle: 1.8°  
Atomization: Independent atomization  
Dimming: 0-100% linear dimming.  
Strobe: up to 25Hz, can choose random strobe or pulse strobe.

## Environment

IP20  
-10°C- 45°C

## Display

Display: usb /RDM, you can enter the menu to set without powering on. The Chinese and English languages can be switched, and the display can be reversed 180 °, which is convenient for hanging upside down.  
Reset detection: When there is no DMX signal, manual detection and automatic detection can be selected to facilitate inspection and maintenance.

## software

9 built-in programs to choose from  
Upgrade via DMX data cable  
Can change the DMX address code from the console, remote control switch bulb, machine reset and other functions  
Display lamp and light source usage time  
2 channel modes:16/13 channels

## Control

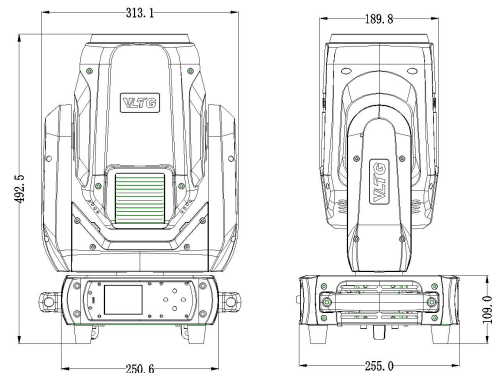
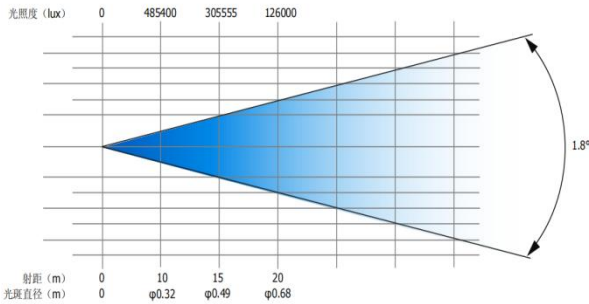
High temperature automatic protection  
Standard DMX512 protocol  
DMX shortcut interface  
RDM function

## Electrical parameters

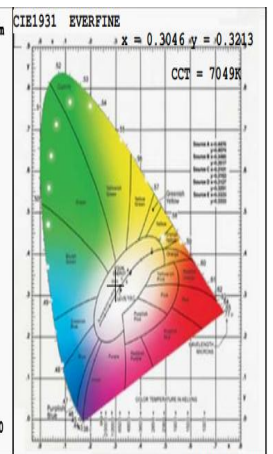
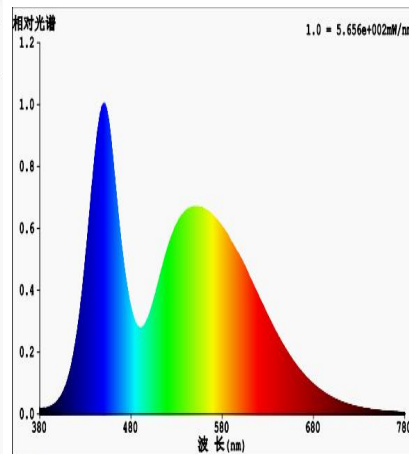
Voltage: AC90-264V, 50/60Hz  
Power: 530W (90V)

## Size and weight

Product Size: 492\*313\*270mm  
Net weight: 14kgs



	1	2	3	4	5	6	7	8	9	10	11	12	13	14	15	16
%	水平	水平微调	垂直	垂直微调	xy速度	调光	调光微调	频闪	色盘1	固定盘	24腔高棱镜	八棱镜	棱镜旋转	雾化/七彩	调焦	功能通道
100%																开/关
75%																XY复位
50%																色片复位
25%																图案复位
0%																频闪复位
																调焦/棱镜复位
																全部复位
																关闭



光谱分布

CIE1931色品图